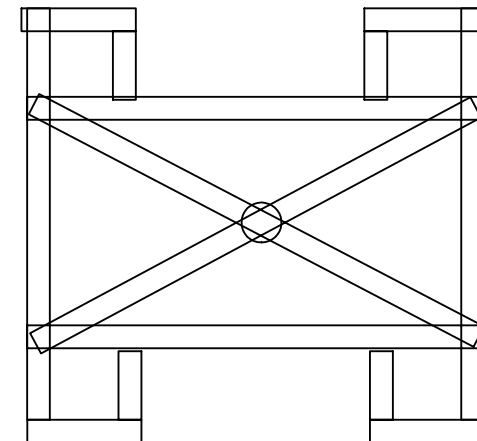
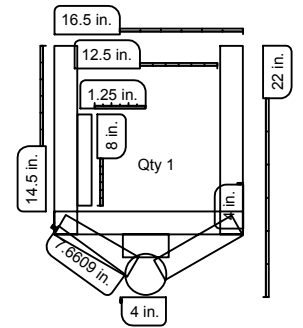
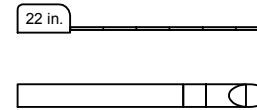


- 2- 36" 1/2" silicone tubes
- 1- 60" 1/2" silicone tube
- 6- FQD 1/2" barb
- 10- MQD 1/2" MPT



- Pump Electricity
- HLT to MLT to Kettle
- Chiller Recirculation
- Kettle to Fermentor
- Pump in-out
- Pump purge

